



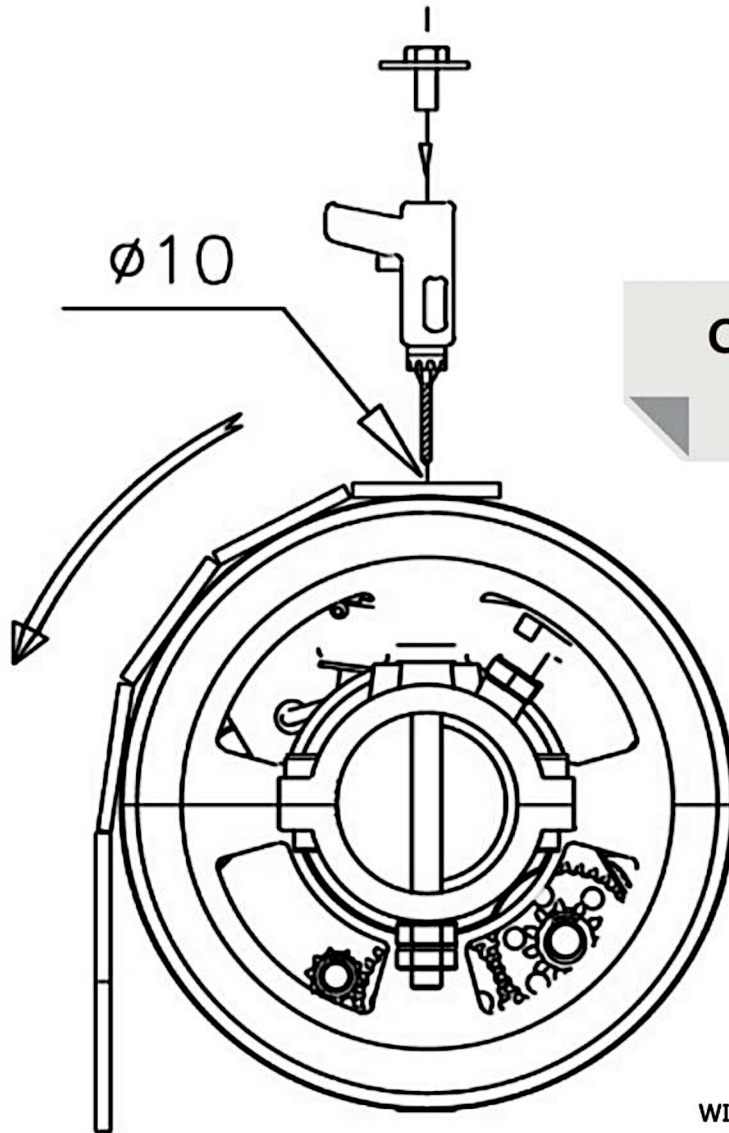
ITALIAN ROLLING POWER



Puertas & Portones Automaticos, S.A. de C.V.

¡Nuestra pasión es la Solución!....

# » OPERADOR CENTRAL PARA CORTINA ENROLLABLE MARCA ACM MOD. SIMPLE 3.



**Central gearmotors for rolling shutters**

COMPANY WITH QUALITY SYSTEM CERTIFIED BY DNV ISO 9001



# MANUAL DE INSTALACION

VERSION 2  
NOVIEMBRE 2021



Versión Digital.

(229) 461-7028

portonesautomaticos@adsver.com.mx  
portonesautomaticos@prodigy.net.mx



V03.24



www.adsver.com.mx

(229) 927-55107, 167-8080, 167-8007, 151-7529



ITALIAN ROLLING POWER



Puertas & Portones Automaticos, S.A. de C.V.  
*¡Nuestra pasión es la Solución!....*

## » OPERADOR CENTRAL PARA CORTINA ENROLLABLE MARCA ACM MOD. SIMPLE 3.

### EC - Declaration of conformity

The central gearmotors for rolling shutters series BOLT comply with the following technical standards: UNI EN 292 Part 1, UNI EN 292 Part 2, UNI EN 294, UNI EN 418, CEI EN 60335-1, EN 55014-2 and the European directives 98/37/EEC, 73/23/EEC, and 89/336/EEC.

### Declaration of incorporation

The central gearmotors for rolling shutters series BOLT, when installed and maintained according to the manufacturer's instructions, in conjunction with roller rolling shutter, which must also be installed and maintained according to the instructions of their manufacturers, comply with the provisions of the regulations of the EU Directive 89/392 EEC and successive amendments.

I the undersigned declare that the foregoing equipment and all the accessories stated in the handbook comply with the foregoing directives.

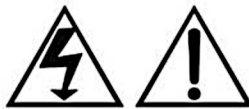
### IMPORTANT SAFETY INSTRUCTIONS ATTENTION - FOR REASONS OF PERSONAL SAFETY IT IS IMPORTANT TO OBSERVE THESE INSTRUCTIONS RETAIN THESE INSTRUCTIONS



Do not let children play with fixed control devices. Keep the remote controls out of reach of children. Perform frequent checks on the system for any signs of unbalance and wear or damage to wires or springs. Do not use the equipment if it requires repair or regulation.



Do not use command buttons that can simultaneously operate the equipment in both directions. Do not command more than one gearmotor with each button. Conduct frequent examinations on the installation to check for signs of unbalance and wear/damage to the wiring. Do not use the equipment if it requires repairs or adjustments. The product cannot be installed for heights of less than 2.5 m.



These warning symbols serve to remind you to pay the maximum attention when the equipment is in use. They indicate the procedures to be followed to avoid risks to persons or things. This gearmotor is designed to function safely if installed and used in compliance with the following instructions. The equipment must only be employed for residential uses and must be installed indoors.

The deployment of a device that guarantees omnipolar disconnection from the mains with an opening of at least 3 mm between the contacts is obligatory.

Before installing the gearmotor for operating the rolling shutter remove all superfluous wires and disable any equipment not necessary for motorised movement. The control button must be placed in sight of the equipment, kept separate from the moving parts and at a height of at least 1.5 m.

If the power cables are damaged they must be replaced by the constructor or his technical after-sales service or, in any case, by a similarly qualified person in order to avoid all risks. The gearmotor is designed for intermittent operation and is provided with an internal thermal protection that interrupts power supply in the event of overheating caused by continued use. The gearmotor automatically resets itself after a few minutes. However, regular operation will only be possible when the gearmotor cools down.



You are warned that incorrect installation can cause serious injuries. Follow all the installation instructions.

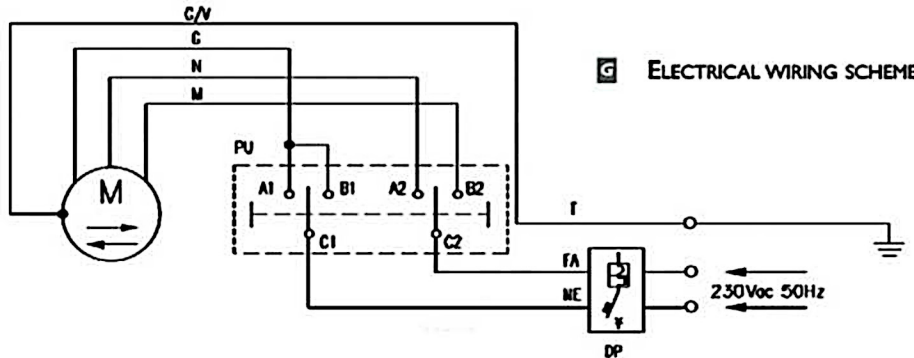
» OPERADOR CENTRAL PARA CORTINA ENROLLABLE MARCA ACM MOD. SIMPLE 3.

**technical characteristics**

MODEL	TORQUE	L.SWITCH	R.R.M.	CONDENSER	MAINS VOLTAGE	ASSORBED POWER <sup>A</sup>	POWER	THERMAL	WEIGHT
	Nm	m	n°	uF	V	A	W	min.	kg
BOLT-C70/CB70	70	6	10	10UF	230-50 Hz	1.62	372	4	8
BOLT-C80/CB80	80	6	10	12UF	230-50 Hz	1.66	382	4	8
BOLT-C100/CB100	100	6	10	14UF	230-50 Hz	1.79	412	4	8.5
BOLT-C120/CB120	120	6	10	16UF	230-50 Hz	1.85	425	4	8.5
BOLT-C140/CB140	140	6	10	18UF	230-50 Hz	2.15	495	4	9
BOLT-C160/CB160	160	6	10	20UF	230-50 Hz	2.49	572	4	9.5
BOLT-C180/CB180	180	6	10	22UF	230-50 Hz	2.85	656	4	10
BOLT-CDM 300	300	6	10	40UF	230-50 Hz	4.91	1129	4	12.5
BOLT-F80/FB80	80	6	10	10UF	230-50 Hz	1.65	380	4	8
BOLT-F100/FB100	100	6	10	10UF	230-50 Hz	1.61	370	4	8.5
BOLT-F120/FB120	120	6	10	12UF	230-50 Hz	1.72	396	4	8.5
BOLT-F140/FB140	140	6	10	14UF	230-50 Hz	1.95	450	4	8.5
BOLT-F160/FB160	160	6	10	16UF	230-50 Hz	2.21	510	4	9
BOLT-F180/FB180	180	6	10	18UF	230-50 Hz	2.56	590	4	9.5
BOLT-F200/FB200	200	6	10	20UF	230-50 Hz	2.68	620	4	9.5
BOLT-F240/FB240	240	6	10	24UF	230-50 Hz	3.15	725	4	10
BOLT-F260/FB260	260	6	10	26UF	230-50 Hz	3.48	800	4	10
BOLT-FDM 360	360	6	10	40UF	230-50 Hz	5.21	1198	4	12.5

**TECHNICAL DATA**

- 1) Die-cast aluminium body and rim
- 2) Steel gears, roller bearings
- 3) Rim mounted on bearing
- 4) Drive shaft mounted on double ball bearings
- 5) Asynchronous 4 pole motor 1.400 rpm
- 6) Class B isolation
- 7) Thermal protection on motor: 160°C.
- 8) Easy limit-switch adjustment
- 9) 6 mt. maximum shutter height
- 10) Alimentation electric cable: 4x1 mm<sup>2</sup> for BOLT C and BOLT F, 4x1.5 mm<sup>2</sup> for BOLT CDM and BOLT FDM.
- 11) Operating temperature: -20°C. +85°C.
- 12) Fittings for electrobrake mounting P-PBM-P115



**G ELECTRICAL WIRING SCHEME**

- G** GRIS
- N** BLACK
- M** BROWN
- G/N** EARTH
- DP** OMNIPOLAR DEVICE 3 mm OPENING DISTANCE BETWEEN CONTACTS
- NE** NEUTRAL
- FA** PHASE
- PU** SWITCH

» OPERADOR CENTRAL PARA CORTINA ENROLLABLE MARCA ACM MOD. SIMPLE 3.

**INSTALLATION INTRUCTIONS**



- 1) Drill a 10 mm diameter hole 5 cm from the centre of the shutter's shaft (see fig. I);
- 2) Remove the M 10 t.e. screws from the gear of the gearmotor.
- 3) Remove the two semi-gears by unscrewing the two M 8 screws (using a 6 mm hexagonal wrench);
- 4) Carefully remove, avoiding any folding, the black plastic roller carrier band;
- 5) Separate the two elements of the gearmotor (upper and lower body) acting on the four M 8 screws (using a 6 mm hexagonal wrench);
- 6) Should the shutter shaft be less than 60 mm long, use the dedicated reducing sockets positioning them using the previously drilled 10 diameter mm hole as a reference (point I);
- 7) Join the upper and lower bodies using the four M8 screws removed before;
- 8) Tighten the M 10 t.e. screw without hexagon nut using a 17 mm wrench and ensure it enters the shutter shaft via the 10 mm hole (previously drilled);
- 9) Install the roller band in its appropriate housing;
- 10) Apply the semi-gears, holding them with the two M 8 screws;
- 11) Tighten the M 10 t.e. screw with nut so as to block the gearmotor on the shaft and tighten said nut;
- 12) Place the last canvas of the shutter on the shaft and drill a 12 mm diameter hole at the same location as the M10 threaded hole on the gear;
- 13) Tighten by hand the gear by 1-1/2 turns by bringing the grip towards microswitch I (down) fig. I (It must turn easily);
- 14) Lock the shutter to the gearmotor using the M 10 t.e. screw with washer (using a 17 mm wrench);
- 15) Make the electrical connections described in page 7 passing the 4xl mm cable supplied inside the shutter shaft avoiding any contact with the rotating parts;
- 16) After having installed the mechanical parts and electrical contacts, proceed to regulate the end of travel;
- 17) Turn the end of travel grip by hand until you hear the click of the microswitch's trigger (down regulation completed);
- 18) Turn the other grip towards microswitch II (up). Switch on current to the gearmotor via the key selector or button to ensure that when rising the shutter stops at the correct point to regulate the position, adjust the grip, using solely and exclusively the electric commands taking all precautions to avoid manual lifting.
- 19) Should the shutter need to be installed contrary to the description in fig. I, the steps described above should be carried out to the contrary as microswitch II will stop the descent and microswitch I will stop the opening.



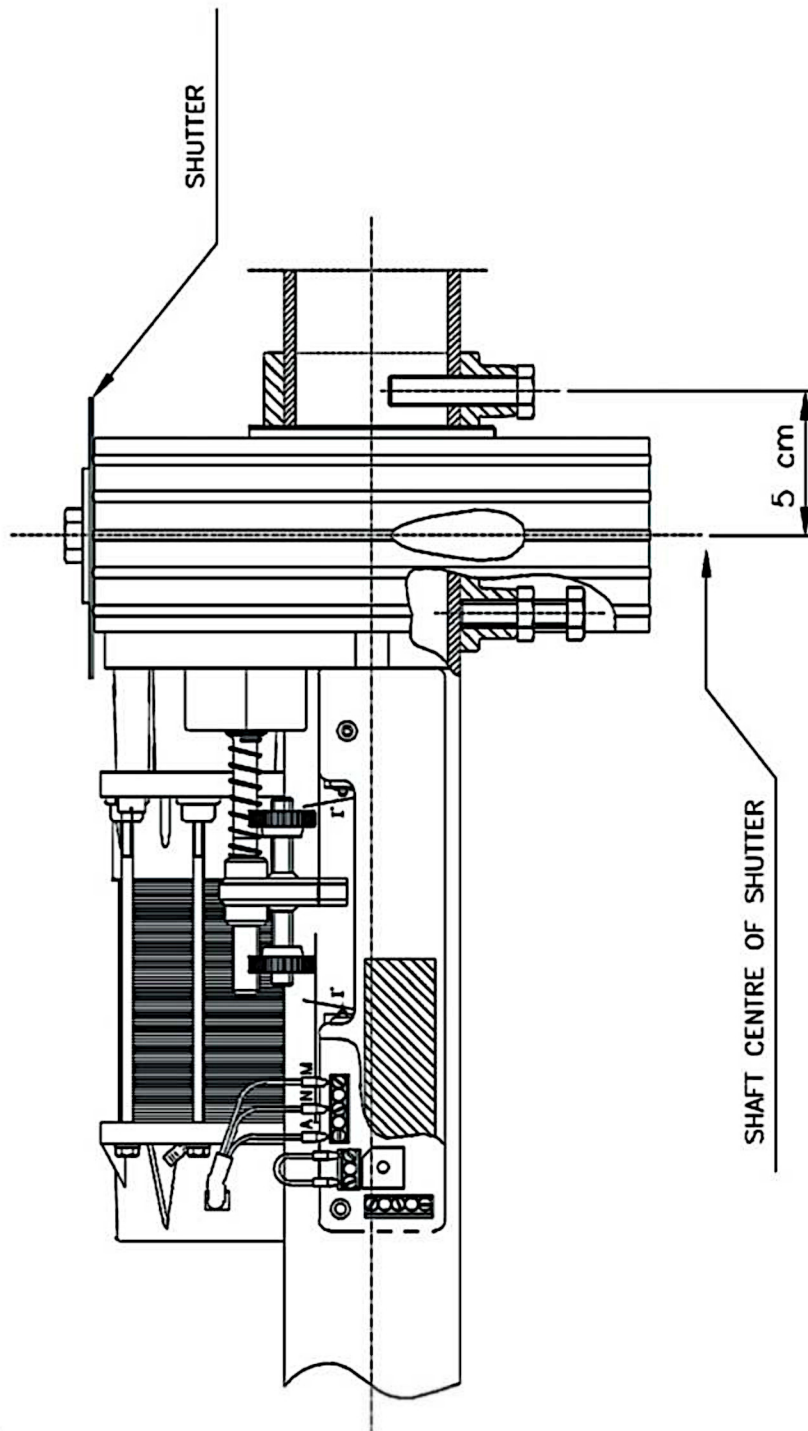
ITALIAN ROLLING POWER



Puertas & Portones Automaticos, S.A. de C.V.

*¡Nuestra pasión es la Solución!....*

»OPERADOR CENTRAL PARA CORTINA ENROLLABLE MARCA ACM MOD.SIMPLE 3.





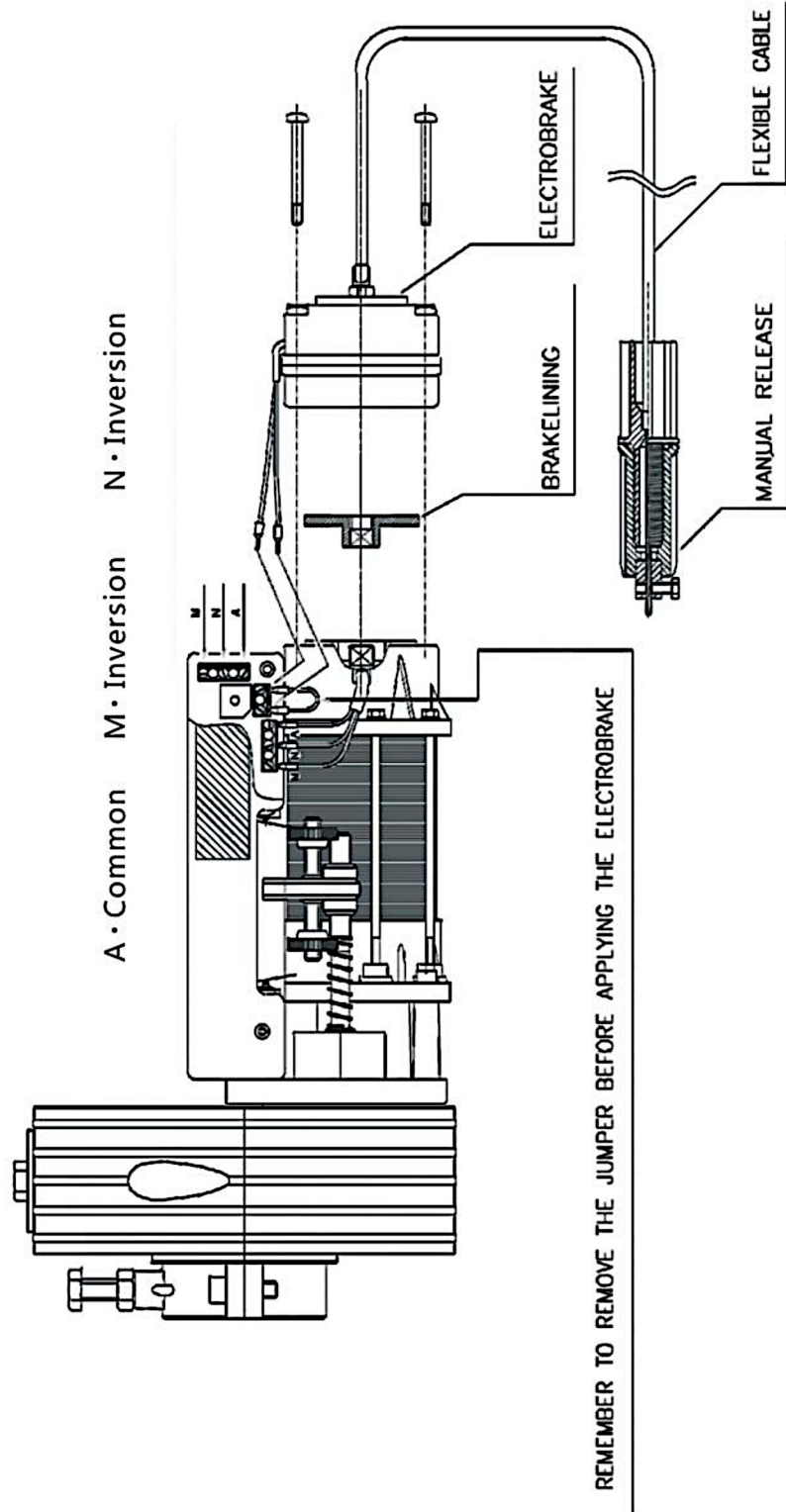
ITALIAN ROLLING POWER



Puertas & Portones Automaticos, S.A. de C.V.

*¡Nuestra pasión es la Solución!...*

»OPERADOR CENTRAL PARA CORTINA ENROLLABLE MARCA ACM MOD.SIMPLE 3.





ITALIAN ROLLING POWER

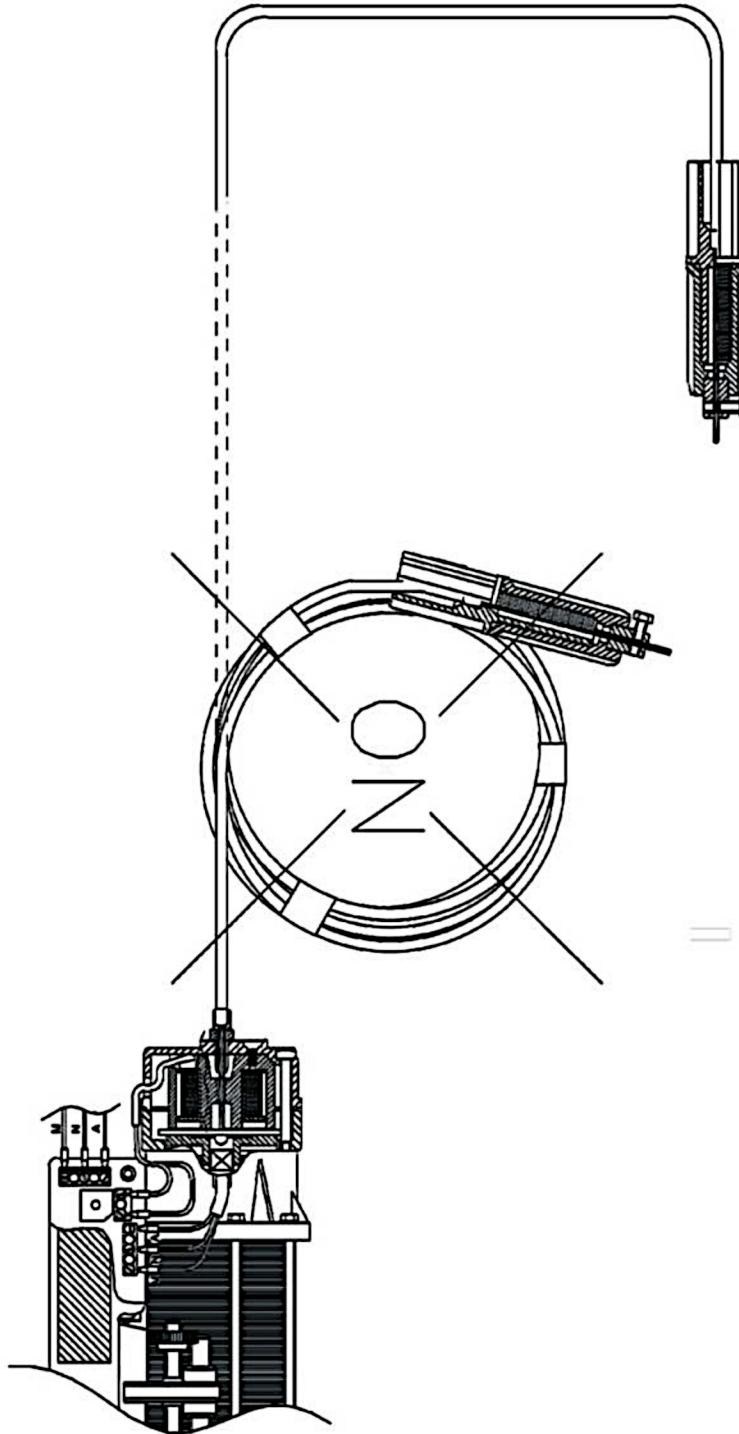


Puertas & Portones Automaticos, S.A. de C.V.

*¡Nuestra pasión es la Solución!....*

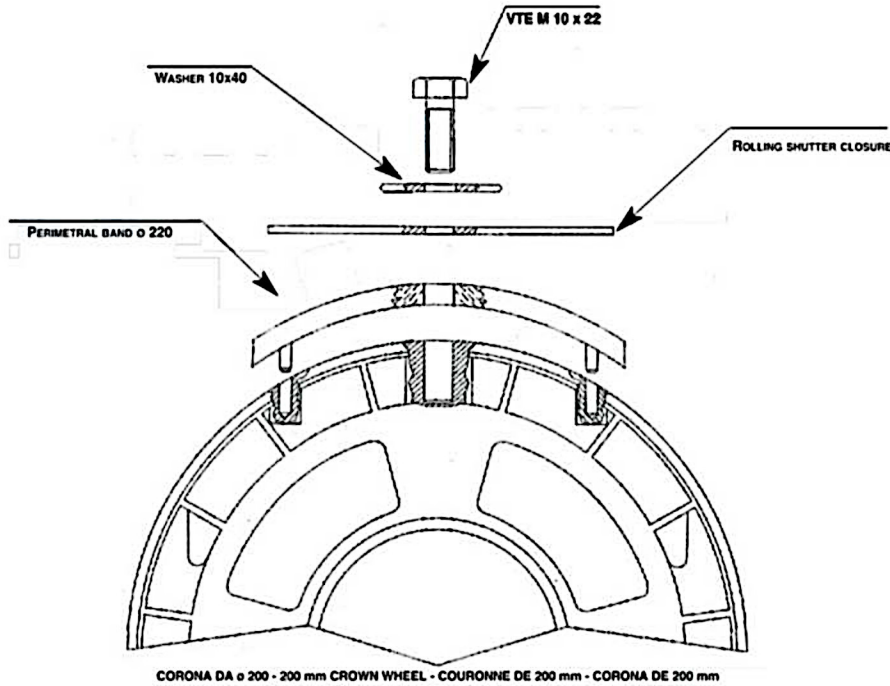
» OPERADOR CENTRAL PARA CORTINA ENROLLABLE MARCA ACM MOD. SIMPLE 3.

Blow up view of the electrobrake



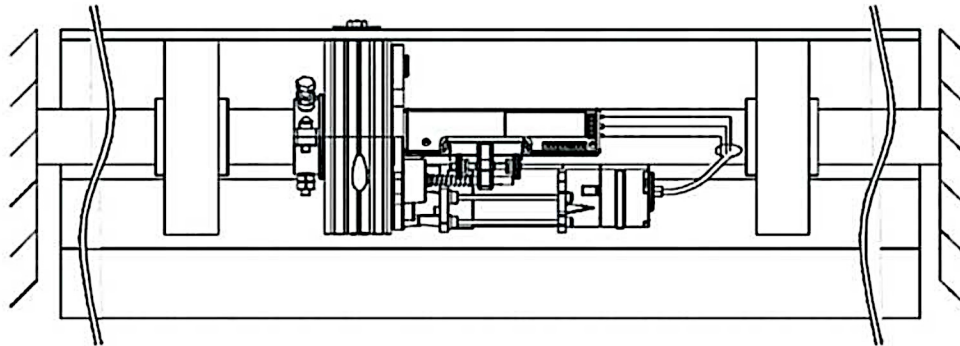
» OPERADOR CENTRAL PARA CORTINA ENROLLABLE MARCA ACM MOD.SIMPLE 3.

The Chinabolt built with a 200 mm crown wheel, which can be converted into a 220 mm crown wheel by the use of a perimetral band.



**EUROSAFETY . EUROSAFETY PLUS - UNISAFETY - UNISAFETY PLUS**

Euro safety and Unisafety are version of the geramotors with safety device carried out to the stop the free fall of roller shutters and at the same time, in Plus version, to interrupt the motoreductor's feeding.

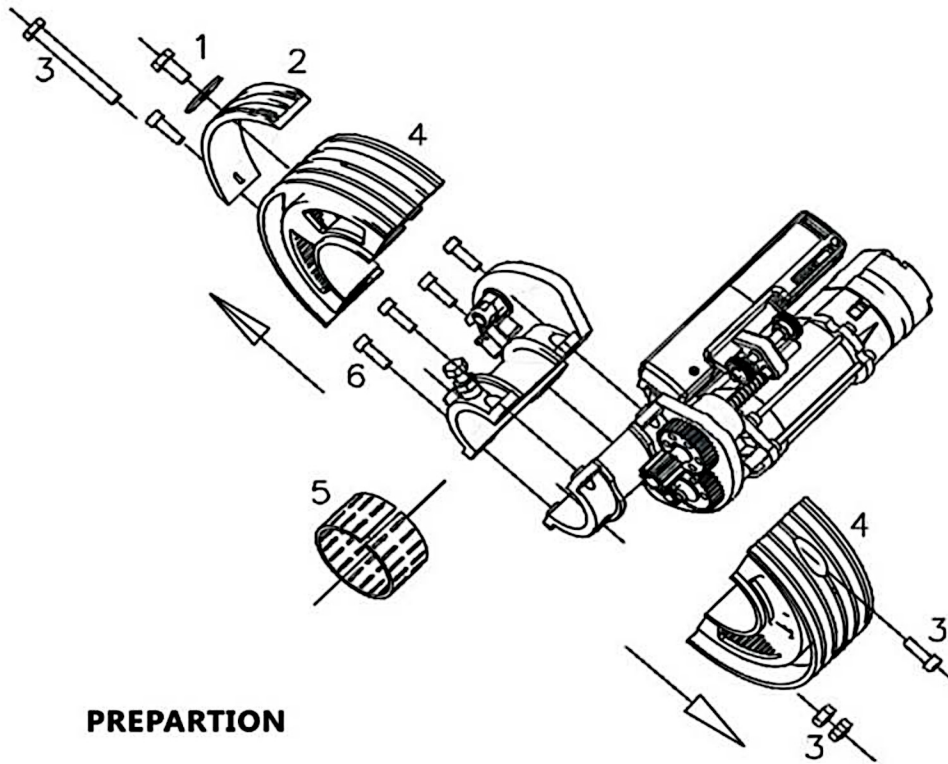


**TOWARDS OF INSTALLATION OF THE GEARMOTOR**

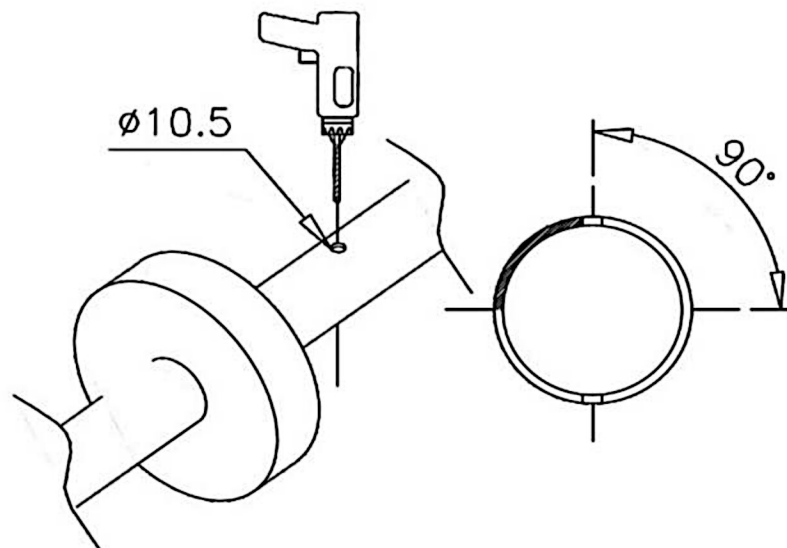


» OPERADOR CENTRAL PARA CORTINA ENROLLABLE MARCA ACM MOD. SIMPLE 3.

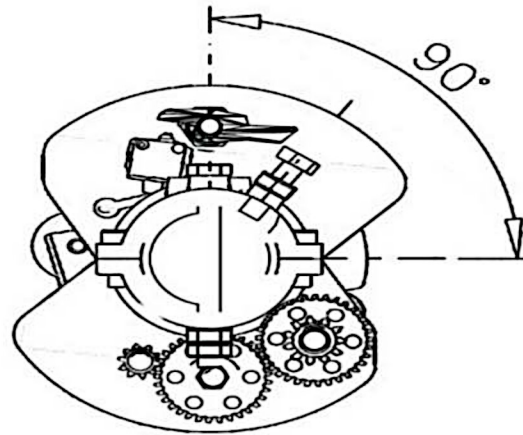
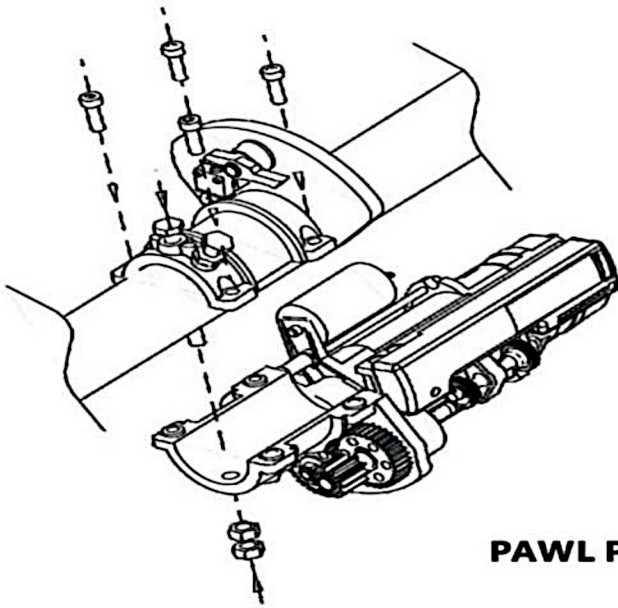
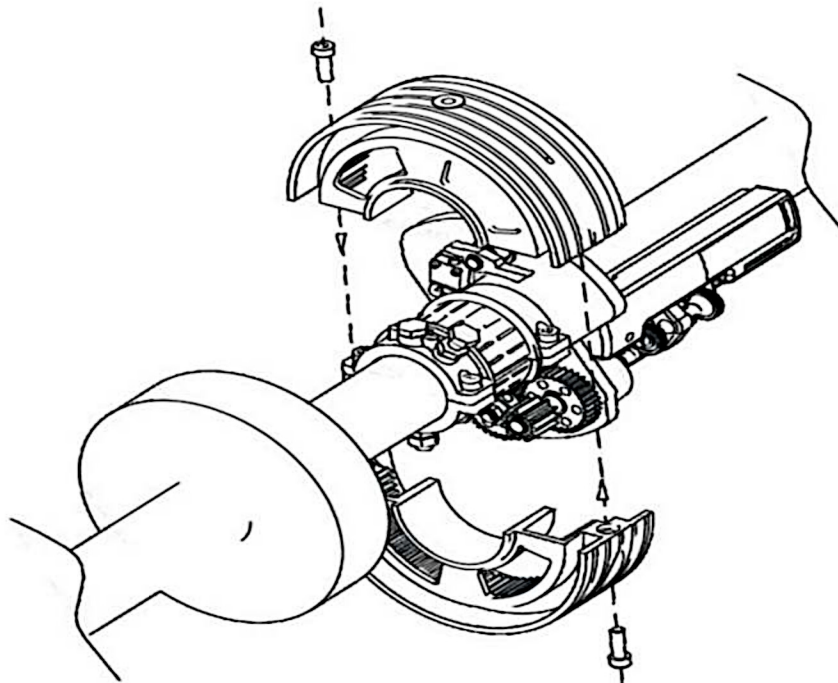
a)



**PREPARTION**

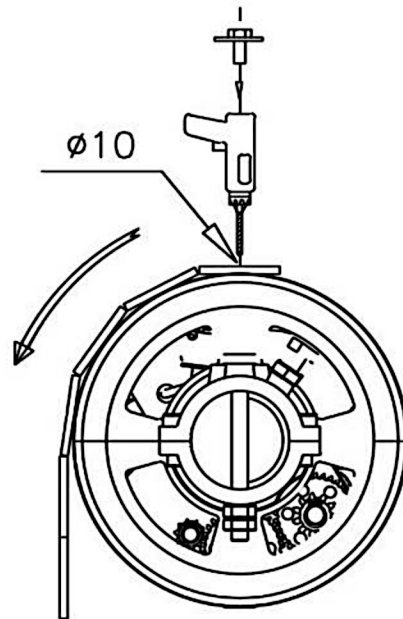


**ON THE AXIS OF THE SHUTTER TO PRACTICE 1 HOLE**

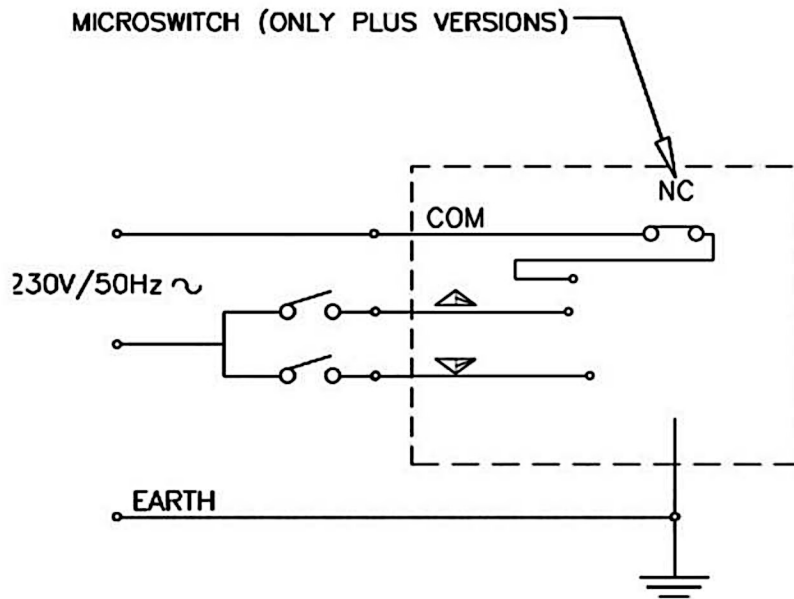
**» OPERADOR CENTRAL PARA CORTINA ENROLLABLE MARCA ACM MOD. SIMPLE 3.****b)****PAWL POSITION**

» OPERADOR CENTRAL PARA CORTINA ENROLLABLE MARCA ACM MOD. SIMPLE 3.

c)



**DOWNWARD RUN OF THE ROLLER SHUTTER**



**ELECTRICAL WIRING SCHEME**



ITALIAN ROLLING POWER



Puertas & Portones Automaticos, S.A. de C.V.

*¡Nuestra pasión es la Solución!....*

»OPERADOR CENTRAL PARA CORTINA ENROLLABLE MARCA ACM MOD.SIMPLE 3.



Puertas & Portones Automaticos, S.A. de C.V.

*¡Nuestra pasión es la Solución!....*



Versión Digital.

(229) 461-7028



portonesautomaticos@adsver.com.mx  
portonesautomaticos@prodigy.net.mx

VERSION 2  
NOVIEMBRE 2021



V03.24



RESIDENCIAL



COMERCIAL



INDUSTRIAL



MEMBER  
International Door Association



www.adsver.com.mx

(229) 927-55107, 167-8080, 167-8007, 151-7529